

GATE VALVE WITH ALVENIUS / KLAMBON ENDS



FEATURES

- HEAVY DUTY cast ductile iron body, bonnet, gate and handwheel.
- Fusion Bonded Powder Coating on all interior and exterior surfaces.
- 16 Bar design pressure.
- EPDM Resilient Seat for bi directional drip tight shut off.
- Non-rising stem handwheel operated.
- Brass Stem bushing with EPDM stem seal and backseat provides reduced operating torque.
- Stainless Steel stem for corrosion resistance.
- Tested to 24 bar for body and bonnet hydrostatic test.
- Tested to 17.6 bar for gate integrity and seat leakage.

BUTTERFLY VALVE WITH ALVENIUS / KLAMBON ENDS PIPES

Technical Features

- Designed to meet SABS / International Standards.
- Simple to Install & Operate and Low maintenance cost.
- Size Range to Suite Pipe of OD 102, OD 152, NB 100 & NB 150.
- Corrosion and Abrasion Resistant.

Material Specifications

- Body : SG Iron, Powder Coated.
- Spindle : Stainless Steel Grade 316.



DAMAN PIPE

Works : Plot No. 41, Indl. Area, Phase 9, Mohali-160062, Punjab. INDIA.
Mobile : +91-78378-11191, Telefax : +91-172-5094744
e-mail : sales@damanpipe.com Website : www.damanpipe.com

GATE VALVE WITH ALVENIUS / KLAMBON ENDS

MATERIALS OF CONSTRUCTIONS

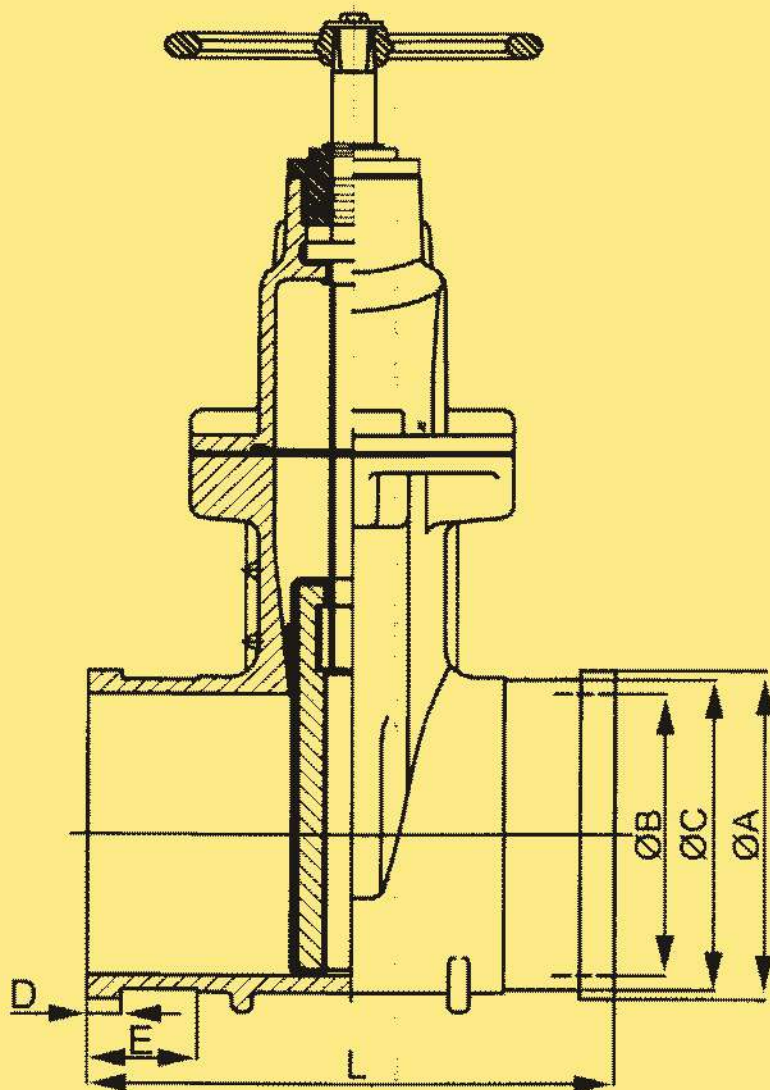
Sr.	Name	Material
1.	Body	Ductile Iron
2.	Gate**	Ductile Iron / EPDM
3.	Stem Nut	Brass
4.	Stem	Stainless Steel
5.	Bonnet	Ductile Iron
6.	Back Seat	EPDM
7.	Stem Seal	EPDM
8.	Gland	Brass
9.	Stem Seal	EPDM
10.	Handwheel	Ductile Iron

* Body bonnet and handwheel are ductile iron with a fusion bonded powder coating on all surfaces.

** Gate us ductile iron with an EPDM Liner on all surfaces.

Stainless Steel is 420/2cr 13.

Ductile iron is ASTM A536GR 65-45-12.



DIMENSIONS (MM)

Size	48	102	152	88	114	165
A	52.0	108.0	162.0	97.0	122.2	175.0
B	35.0	86.0	133.0	80.0	100.0	150.0
C	48.3	102.0	152.4	88.9	114.3	165.1
D	12.5	16.0	18.0	16.0	16.0	16.0
E	19.0	24.5	28.0	35.0	42.0	56.0
L	110.0	142.0	200.0	203.0	229.0	267.0